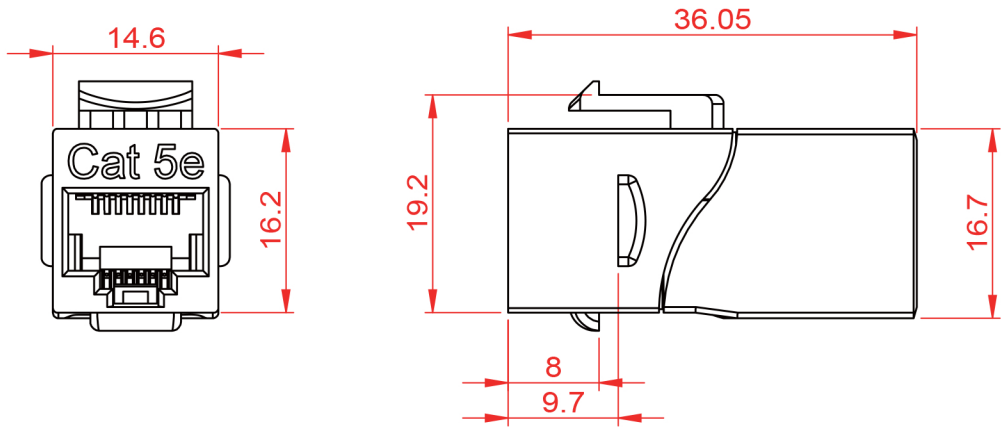
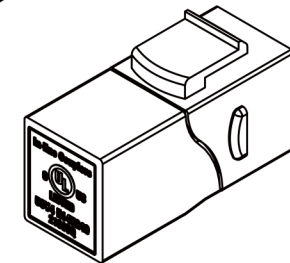
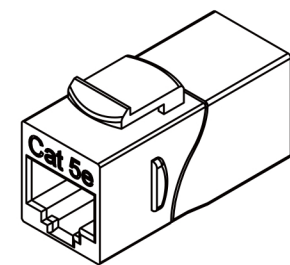
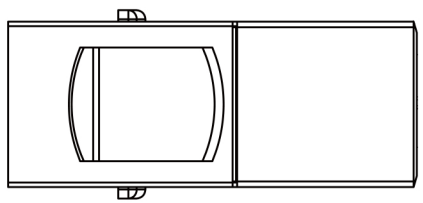


REVISION INFORMATION			
Rev.	Rev. Date	Modified By	Brief Description



**MATERIAL**

COUPLER HOUSING : PC,UL94V-0.  
 CONTACT HOLDER : ABS,UL94V-0.  
 JACK CONTACTS : PHOSPHOR BRONZE,50U" GOLD PLATED.

**PHYSICAL CHARACTERISTICS**

INSERTION LIFE : 750 MATING CYCLES WITH FCC COMPLIANT 8P PLUG.  
 CONTACT FORCE : 100 GRAMS WITH FCC COMPLIANT 8P PLUG.  
 PLUG RETENTION FORCE : 11 LBF MIN.  
 OPERATING TEMPERATURE RANGE : -10°C TO 60°C.  
 STORAGE TEMPERATURE RANGE : -40°C TO 68°C.  
 HUMIDITY : 10%~90%RH.

**ELECTRICAL**

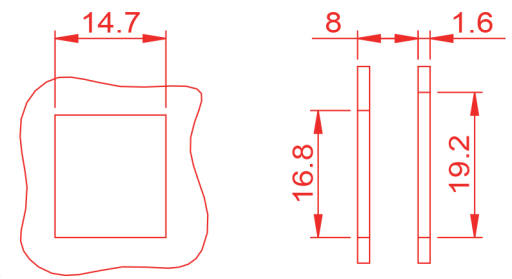
INSULATION RESISTANCE : 500 MΩ.  
 DIELECTRIC WITHSTANDING VOLTAGE : 1000 V AC.  
 DC CURRENT RATING : 1.5 Amps.  
 DC RESISTANCE : 0.1Ω.  
 CONTACT RESISTANCE : 20mΩ.

**NOTE**

- WILL NOT SUPPORT CHANNEL SHORTER THAN 15M.
- ONLY ACCEPT RJ-45 8P8C PLUG.

ACCORDING TO : ANSI/TIA-568-C.2  
 ISO/IEC 11801 2nd Edition  
 IEC 60603-7

**SUGGESTED MOUNTING CUTOUT**



Cat 5e



**Show Me**  
**CABLES**  
 an INFINIT® brand

DRAWN BY	DATE: 2018/04/26	Title: Cat5e Right Angle Keystone Coupler White
CHECKED BY	SHEET 1of1	Part No: 15-520-001
APPROVED BY	SCALE 1: 1	REV. 00 UNIT:mm

NO.	PART NAME	SPECIFICATION DESCRIPTION	QT'Y	UNIT
③				
②				
①				

Unless specified on the drawing, tolerances are per the follows:  
 ·.x +1  
 ·.0.2  
 ·.xx +0.05